

# Technical Data Sheet

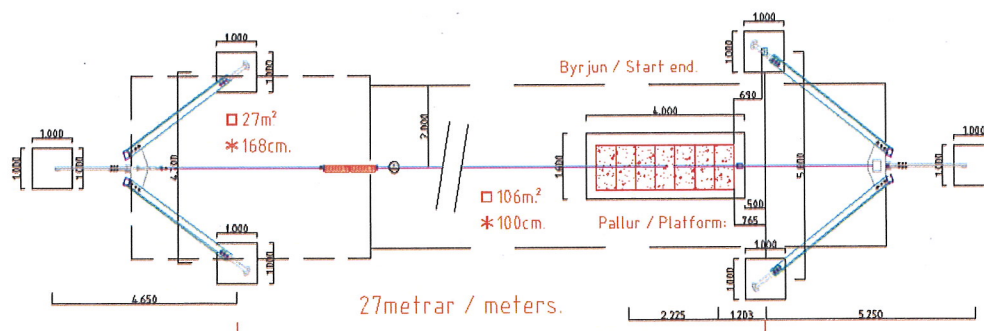
## 1201 Cableway



Product: 1201 Cableway  
 Product group: KRUMMA-Sport  
 Certification: EN1176-1-4:2008 DTI  
 User age: +6 years

Installation: 8 hours  
 x4 installers  
 x7 holes  
 3.0m<sup>3</sup> concrete

Package: 1.750kg  
 7.0m<sup>3</sup>  
 Longest part 7,2m.



Holudýpt fyrir stoðir og bakstíftingu.  
 Deep of holes for posts = 97cm. (1,0m. x 1,0m.)  
 Holudýpt fyrir pall.  
 Hole deep for platform = 70cm. (1,6m. x 4,0m.)  
 Fjarlægð milli uppstóða mælt við yfirborð  
 Distance from post to post measured at surface level = 27m.  
 Fallhæð á rennislífteti = 100cm. Fallhæð á stopplífteti = 168cm.  
 Fallingheight, traveling area = 100cm. end area = 168cm.

□ 120m<sup>2</sup>  
 \* 100/168cm.